



THE VILLAGE OF
FRANKLIN

POLE LIGHTING FINAL
UPDATE

OCTOBER 27 2020



ROUND STRAIGHT ALUMINUM
POLE IN RAL 7024 GRAPHITE
FINISH

NO GROOVES OR FLUTES WILL
BE IN POLE. IT WILL BE
SMOOTH.

ROUND BASE IN RAL
GRAPHITE FINISH

NO GROOVES OR FLUTES
WILL BE IN BASE.

THERE WILL ALSO BE A
BREAK-AWAY "SKIRT" THAT
WILL HIDE THE BREAK-AWAY
ANCHOR BOLTS FROM VIEW.

THE SKIRT WILL BE A FEW
INCHES TALLER THAN SHOWN
IN HERE

Rockford Harbor Series Pole

~~Aluminum, SiteLink Straight L5J Shaft~~

Tenon: Ø3"x6", Finish: Graphite

(1)GFI Receptacle with Small, In-Use Weatherproof Cover

*GFI to be Weather Resistance & Tamper Resistant

(1)Single Bishops Crook Arm w/Quick-Stem hub

(1)Breakaway Kit to include Bearing Plate & Skirt

(1)Set of 3/4" Transpo Break-away Couplings

(1)Set 3/4"x18" Anchor Bolts

Hallbrook GlasWerks LED with Flat Glass

(see standard cut sheet)

Round straight aluminum pole

Pole manufacturer to provide drilled hole for future camera power/data cord. Factory applied finish to be applied after hole is drilled.

Plastic plug for hole to also be factory provided for removal at a later date by camera installer

16'-11" (Nominal Height)

2'-7" (Pole Height)

Maintain round smooth decorative base (aluminum).

Maintain breakaway base and cover skirt.

Camera at two locations size approximate

Receptacle at base of smooth pole oriented toward sidewalk

Ø5 1/4"

LOADING DATA

WIND LOADING :

90MPH

1.14 GUST

AASHTO 2013

INITIAL INSTALLATION:

2.44 SQ FT

(EQUIVALENT POLE TOP EPA)

68.0 LBS

(CURRENT LOADING WEIGHT)

FUTURE INSTALLATION:

32.5 SQ FT

(ADDT'L EQUIV POLE TOP EPA)

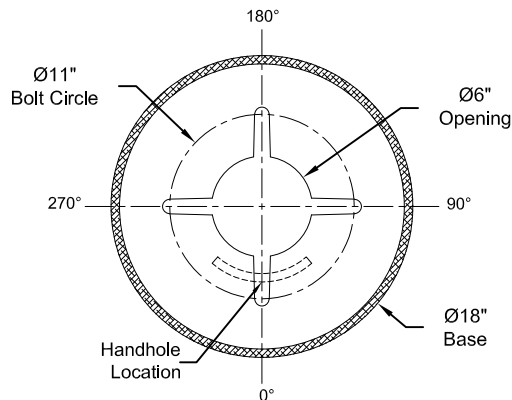
813.0 LBS

(ADDT'L LOADING CAPACITY)

Accessory Mounting Detail

RECEPTACLE	Orientation	Height

Anchorage Detail



CUSTOMER NOTES:

- STANDARD SPECS NOT SHOWN HERE CAN BE FOUND ON SEPARATE CUT SHEETS (PLEASE SEE SALES).
- CUSTOMER MUST IDENTIFY ACCESSORY HEIGHTS AND ORIENTATIONS IN THE TABLE ABOVE DURING APPROVAL. SHOWN IN ASSEMBLY FOR VISUAL ONLY.
- LOADING DATA PROVIDED BASED ON ASSEMBLY SHOWN. ANY ADDITIONAL WEIGHT/EPA MAY NEED TO BE VERIFIED BY HOLOPHANE ENGINEERING.
- ANCHORAGE DETAIL PROVIDED FOR VISUAL ONLY - DO NOT USE TO SET ANCHOR BOLTS.**
- APPROVED SUBMITTAL TO ACCOMPANY PO.

Catalog #'s:

Pole: RHA12'7"L5J18P09GH RXXX Y RFD314484

Anchor Bolts: AB-31-4

Roadway Arm: 1BC90R15FGHQSM RFD314484

Receptacle: FGIUS-SBKH-TWR RFD314484

Breakaway Kit: RHA18BRKWYKITGH

Breakaway Couplings: TRANSP0 SPM4075XL

Fixture: GSLF2P3030KAS4HL2AO

Customer Signature

Date



Village of Franklin Downtown Streets
Franklin, MI

ORDER #:2000-20-12330-0	TYPE: TYPE OA	DRAWING #:
REVISION:	REVISION DATE:	TSG 012163
DRAWN: MAB	ORIGIN DATE: 06/22/20	PAGE: 1 of 2

THIS DRAWING, WHEN APPROVED, SHALL BECOME THE COMPLETE SPECIFICATION FOR THE MATERIAL TO BE FURNISHED BY HOLOPHANE ON THE ORDER NOTED ABOVE. A UNIT OF SIMILAR DESIGN MAY BE SUPPLIED, BUT ONLY AFTER APPROVAL BY THE CUSTOMER IN WRITING. ON POLE ORDERS AN ANCHOR BOLT TEMPLATE PRINT WILL BE SUPPLIED WITH EACH ANCHOR BOLT ORDER TO MATCH THE POLE PROVIDED. THIS PRINT IS THE PROPERTY OF HOLOPHANE AND IS LOANED SUBJECT TO RETURN UPON DEMAND AND UPON EXPRESS CONDITION THAT IT WILL NOT BE USED DIRECTLY OR INDIRECTLY IN ANY WAY DETRIMENTAL TO OUR INTERESTS, AND ONLY IN CONNECTION WITH MATERIAL FURNISHED BY HOLOPHANE.

Rockford Harbor Series Pole

**RAL FINISH
GRAPHITE**

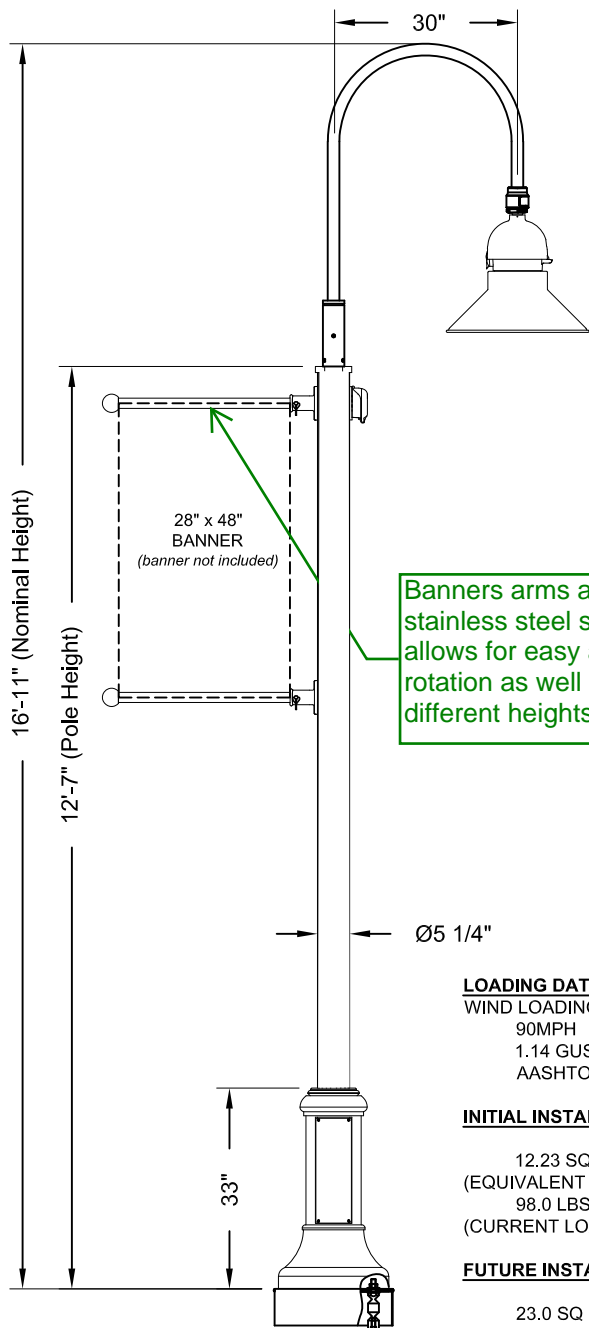
~~Aluminum, SiteLink Straight L5J Shaft~~

Tenon: Ø3"x6", Finish: Graphite

- (1)GFI Receptacle with Small, In-Use Weatherproof Cover
**GFI to be Weather Resistance & Tamper Resistant*
- (2)SL 28" Banner Arms, Ø1.5" Pipe, Ball finial
- (1)Single Bishops Crook Arm w/Quick-Stem hub
- (1)Breakaway Kit to include Bearing Plate & Skirt
- (1)Set of 3/4" Transpo Break-away Couplings
- (1)Set 3/4"x18" Anchor Bolts

Hallbrook GlasWerks LED with Flat Glass

(see standard cut sheet)

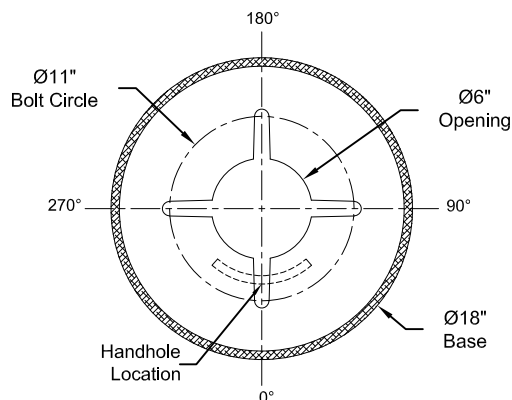


Banners arms attached with stainless steel straps. This allows for easy attachment and rotation as well as banners of different heights.

Accessory Mounting Detail

RECEPTACLE	Orientation	Height

Anchorage Detail



CUSTOMER NOTES:

1. STANDARD SPECS NOT SHOWN HERE CAN BE FOUND ON SEPARATE CUT SHEETS (PLEASE SEE SALES).
2. CUSTOMER MUST IDENTIFY ACCESSORY HEIGHTS AND ORIENTATIONS IN THE TABLE ABOVE DURING APPROVAL. SHOWN IN ASSEMBLY FOR VISUAL ONLY.
3. LOADING DATA PROVIDED BASED ON ASSEMBLY SHOWN. ANY ADDITIONAL WEIGHT/EPA MAY NEED TO BE VERIFIED BY HOLOPHANE ENGINEERING.
4. **ANCHORAGE DETAIL PROVIDED FOR VISUAL ONLY - DO NOT USE TO SET ANCHOR BOLTS.**
5. APPROVED SUBMITTAL TO ACCOMPANY PO.

LOADING DATA

WIND LOADING :
90MPH
1.14 GUST
AASHTO 2013

INITIAL INSTALLATION:

12.23 SQ FT
(EQUIVALENT POLE TOP EPA)
98.0 LBS
(CURRENT LOADING WEIGHT)

FUTURE INSTALLATION:

23.0 SQ FT
(ADDT'L EQUIV POLE TOP EPA)
575.0 LBS
(ADDT'L LOADING CAPACITY)

Catalog #'s:

Pole: RHA12'7"L5J18P09GH RXXX Y RFD314486
Anchor Bolts: AB-31-4
Roadway Arm: 1BC90R15FGHQSM RFD314486
Banner Arms: (2)BA28L45B6GH RFD314486
Receptacle: FGIUS-SBKH-TWR RFD314486
Breakaway Kit: RHA18BRKWYKITGH
Breakaway Couplings: TRANSP SPM4075XL
Fixture: GSLF2P3030KAS4HL2AO

Customer Signature

Date



Village of Franklin Downtown Streets
Franklin, MI

TYPE OA

ORDER #:2000-20-12330-0

TYPE:

DRAWING #:

REVISION:

REVISION DATE:

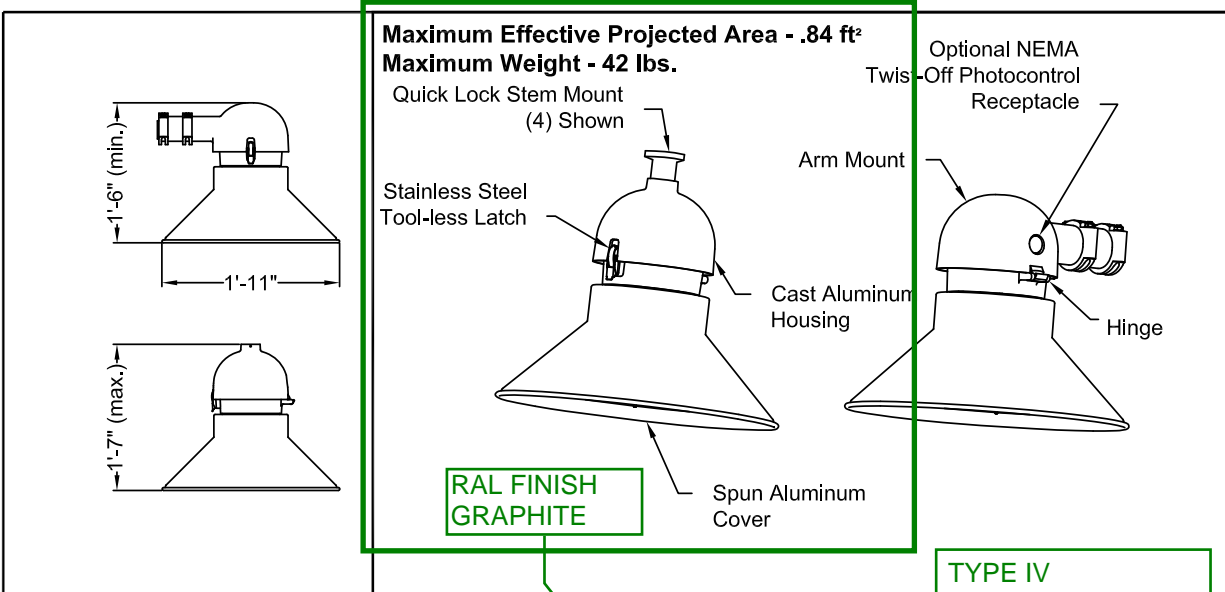
TSG 012163

DRAWN: MAB

ORIGIN DATE: 06/22/20

PAGE: 2

THIS DRAWING, WHEN APPROVED, SHALL BECOME THE COMPLETE SPECIFICATION FOR THE MATERIAL TO BE FURNISHED BY HOLOPHANE ON THE ORDER NOTED ABOVE. A UNIT OF SIMILAR DESIGN MAY BE SUPPLIED, BUT ONLY AFTER APPROVAL BY THE CUSTOMER IN WRITING. ON POLE ORDERS AN ANCHOR BOLT TEMPLATE PRINT WILL BE SUPPLIED WITH EACH ANCHOR BOLT ORDER TO MATCH THE POLE PROVIDED. THIS PRINT IS THE PROPERTY OF HOLOPHANE AND IS LOANED SUBJECT TO RETURN UPON DEMAND AND UPON EXPRESS CONDITION THAT IT WILL NOT BE USED DIRECTLY OR INDIRECTLY IN ANY WAY DETRIMENTAL TO OUR INTERESTS, AND ONLY IN CONNECTION WITH MATERIAL FURNISHED BY HOLOPHANE.



GlasWerks® Flat LED 2
Hallbrook
DESIGNER
OUTDOOR

EXAMPLE: GSLF2 P30 40K AS 4 B L3

ORDERING INFORMATION:

GSLF2 COVER TYPE GSLF2 = HALLBROOK	P30 LED PERFORMANCE PACKAGE (SEE PRODUCT COMPATIBILITY TABLE FOR OPTIONS) P10 = TRUE AMBER LED PACKAGE ¹ P20 = STD CCT LED PACKAGE P30 = STD CCT LED PACKAGE P40 = STD CCT LED PACKAGE P50 = STD CCT LED PACKAGE P60 = STD CCT LED PACKAGE	30K COLOR TEMP. AM = TRUE AMBER ¹ 30K = 3000K 40K = 4000K 50K = 5000K	AS VOLTAGE AS = AUTO-SENSING 120-277V AH = AUTO-SENSING 347-480V	4 MOUNTING STYLE 1 = ARM 2 = PENDAND 1.5 NPT 3 = PENDAND 1.25 NPT 4 = QUICK LOCK STEM MOUNT ²	H COLOR A = AS SPECIFIED B = BLACK D = DARK BLUE G = GRAY N = GRAPHITE P = PRIME PAINT W = WHITE Z = BRONZE TDC = TIGER DRYLAC COLOR (RAL) CMC = CUSTOM MATCH COLOR	L2 OPTICS L2 = TYPE 2 DISTRIBUTION L3 = TYPE 3 DISTRIBUTION L4 = TYPE 4 DISTRIBUTION L5 = TYPE 5 DISTRIBUTION
---	---	--	--	--	---	---

HOLOPHANE
LEADER IN LIGHTING SOLUTIONS
An Acuity Brands Company

©2009 ACUITY BRANDS LIGHTING, INC. All Rights Reserved

AO
40 LUMEN PACKAGE

Use TDC

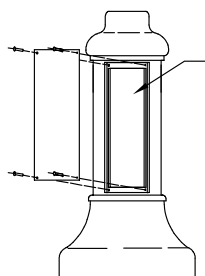
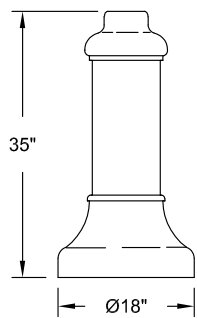
OPTIONS
CONTROL OPTIONS
AO³ = FIELD ADJUSTABLE OUTPUT
B⁴ = BI-LEVEL 0-10V DIMMING CONTROL
D⁵ = ROAM HARDWARE
FPDxx⁶ = FACTORY PROGRAMMED DRIVER (xx = % OF LUMENS OR WATTS)
H⁷ = NEMA TWISTLOCK PHOTOCONTROL RECEPTACLE ONLY
PCLL⁸ = DTL LONG LIFE TWISTLOCK PHOTOCONTROL FOR SOLID-STATE LIGHTING, 120-277V
PCS⁸ = DTL TWISTLOCK PHOTOCONTROL, 120-277 VOLT
PND⁹ = 0-10V PART-NIGHT DIMMING, INCLUDES BLC2 & 120-277V BUTTON PHOTOCONTROL
PSC¹⁰ = SHORTING CAP
P34¹¹ = DTL TWISTLOCK PHOTOCONTROL 347V
P48¹¹ = DTL TWISTLOCK PHOTOCONTROL 480 VOLT
P5¹² = DIMMING PHOTOCONTROL RECEPTACLE - 5 PIN
P7¹³ = DIMMING PHOTOCONTROL RECEPTACLE - 7 PIN
P3E¹⁴ = PREPARED FOR EXTERNAL 3PIN PHOTOCONTROL RECEPTACLE
P5E¹⁴ = PREPARED FOR EXTERNAL 5PIN PHOTOCONTROL RECEPTACLE
P7E¹⁴ = PREPARED FOR EXTERNAL 7PIN PHOTOCONTROL RECEPTACLE

OPTIONS (Cont.)
PREWIRE LEAD OPTIONS
L03 = 3 FEET OF PREWIRED LEADS
L10 = 10 FEET OF PREWIRED LEADS
L20 = 20 FEET OF PREWIRED LEADS
L25 = 25 FEET OF PREWIRED LEADS
L30 = 30 FEET OF PREWIRED LEADS

ACCESSORIES
SURGE PROTECTION
SPDPLUGIN = REPLACEMENT SURGE PROTECTOR 120-277V
SPDPLUGIN-48 = REPLACEMENT SURGE PROTECTOR 347-480V
SPDPLUGIN-MOV12 = REPLACEMENT SURGE PROTECTOR, MOV 120-277V
SPDPLUGIN-MOV48 = REPLACEMENT SURGE PROTECTOR, MOV 347/480V

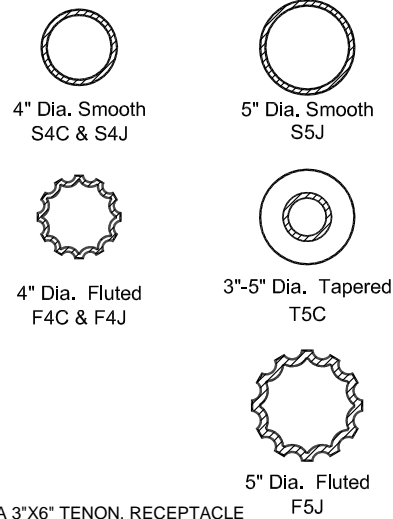
THIS DRAWING, WHEN APPROVED, SHALL BECOME THE COMPLETE SPECIFICATION FOR THE MATERIAL TO BE FURNISHED BY HOLLOPHANE. ON THE ORDER NOTED ABOVE, A UNIT OF SIMILAR DESIGN MAY BE SUBSTITUTED WITHOUT NOTICE. THE ORDERING PARTY SHALL BE RESPONSIBLE FOR WRITING ON FOLLOW ORDERS AN ANCHOR BOLT TEMP. DATE PER THE SUPPLIER. THIS PRINT IS THE PROPERTY OF HOLOPHANE AND WILL BE SUPPLIED WITH EACH ANCHOR BOLT ORDER TO MATCH THE CONDITION THAT IT WILL NOT BE USED DIRECTLY OR INDIRECTLY IN ANY WAY DETRIMENTAL TO OUR INTERESTS, AND ONLY IN CONNECTION WITH MATERIAL FURNISHED BY HOLOPHANE.

ORDER #:
TYPE:
DRAWN: RAF
DATE: 8/14/2017
DWG #: LUM_GSLF2



4.5" X 15.75"
 HAND HOLE
 (2 PER POLE)

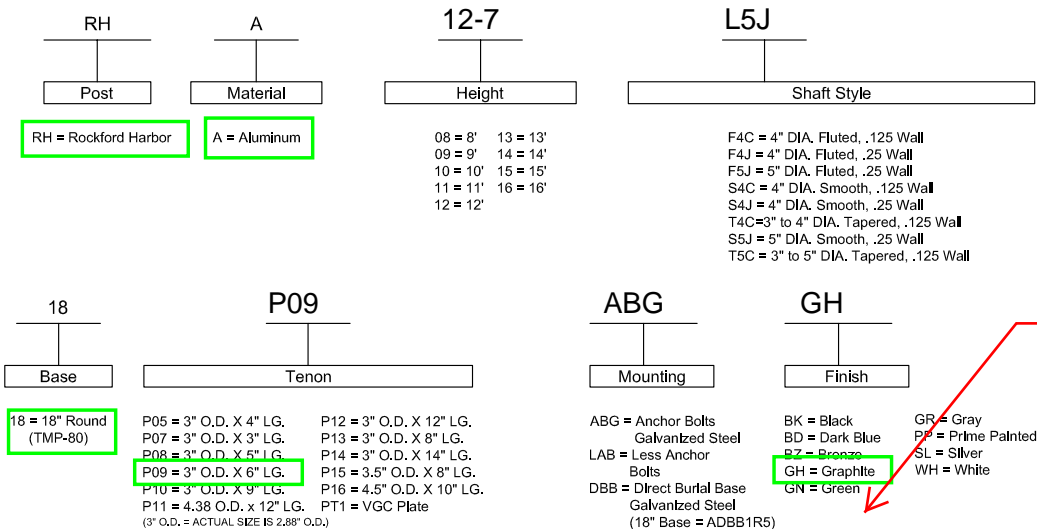
Shaft Style



ROCKFORD HARBOR ALUMINUM POLE, 127" TALL, "L5J" SITELINK SHAFT WITH A 3"x6" TENON, RECEPTACLE PROVISION, 18" BASE. GRAPHITE FINISH
 SINGLE BISHOP'S CROOK ARM WITH QUICK-STEM HUB. GRAPHITE FINISH
 GFI RECEPTACLE WITH SMALL IN-USE WEATHERPROOF COVER. GRAPHITE. GFI RECEPTACLE TO BE WEATHERRESISTANT AND TAMPER-RESISTANT.
 BEARING PLATE AND SKIRT. GRAPHITE FINISH
 SET OF 3/4" TRANSP BREAK-AWAY COUPLINGS
 3/4"x18" ANCHOR BOLTS INCLUDED

ROCKFORD HARBOR™
 Aluminum Pole
 Architectural
 Outdoor

ORDERING INFORMATION:



HOLOPHANE
 LEADER IN LIGHTING SOLUTIONS
 An Acuity Brands Company
 © 2010 Acuity Brands Lighting, Inc., All Rights Reserved

finish to be TDC

SPECIFICATIONS

DESCRIPTION

The lighting post shall be all aluminum, one-piece construction, with a classic base design.

MATERIALS

The base and fluted tapered cast shaft shall be heavy wall, cast aluminum produced from certified ASTM 356.1 ingot per ASTM B-179-95a or ASTM B26-95. The straight shafts shall be extruded from aluminum, ASTM 6061 alloy, heat treated to a T6 temper. The tapered shaft shall be extruded from aluminum, ASTM 6063 alloy, spun to a tapered shape, then heat treated to a T6 temper. All hardware shall be tamper resistant stainless steel. Anchor bolts to be completely hot dip galvanized.

CONSTRUCTION

The shaft shall be double welded to the base casting and shipped as one piece for maximum structural integrity. The shaft shall be welded inside the base casting at the top of the access door, and externally where the shaft exits the base. All welding shall be per ANSI/AWS

DIMENSIONS

The post shall be X'- XX" in height with a 18" diameter base. The shaft diameter shall be XX". At the top of the post, an integral tenon with a transitional donut shall be provided for luminaire mounting.

INSTALLATION

The post shall be provided with four, hot dip galvanized L-type anchor bolts. A door shall be provided in the base for anchorage and wiring access. A grounding screw shall be provided inside the base opposite the door.

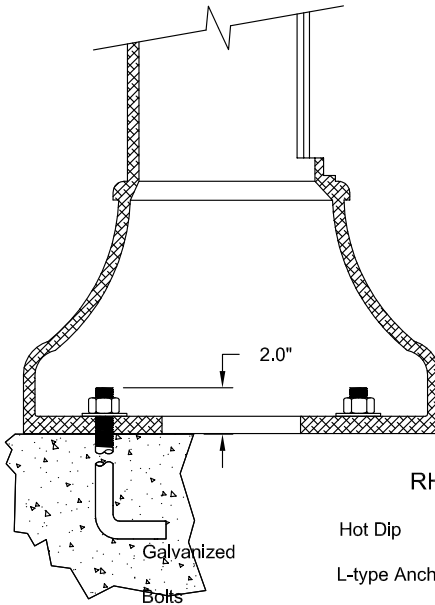
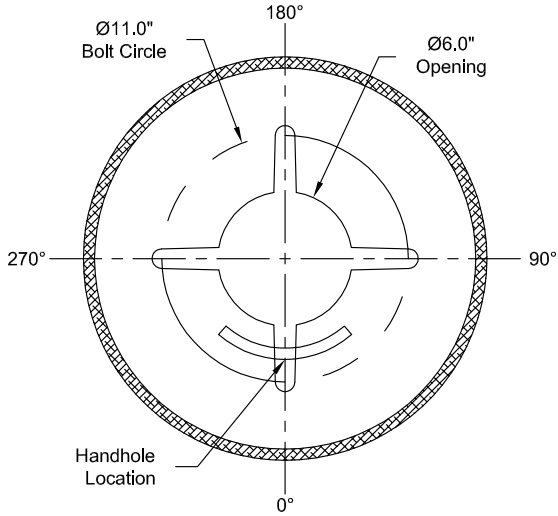
EXXXY² = Provision for eye bolt.
 LXXX² = Large provision.
 RXXX² = Receptacle provision
 SXXX² = Small provision.

² - Replace "XXX" with height from grade (inches), can be up to 3 digits. Must use whole numbers. Leading zeros are not used. Replace Y with orientation from hand hole (A=0, B=90, C=180, D=270). Add multiple provisions as necessary to cover each location. Must validate EPA restrictions for banners.

THIS DRAWING, WHEN APPROVED, SHALL BECOME THE SPECIFICATION FOR THE MATERIAL TO BE FURNISHED ON THE ORDER NOTED ABOVE. A UNIT OF SIMILAR DRAWING IS NOT TO BE USED FOR ANY OTHER ORDER. IT WILL BE SUPPLIED WITH EACH ANCHOR BOLT ORDER TO ASSIST IN THE PROPER INSTALLATION OF THE POLE. IT IS THE RESPONSIBILITY OF THE ORDERER TO VERIFY THE CONDITION THAT IT WILL NOT BE USED DIRECTLY OR IN ANY WAY DETRIMENTAL TO OUR INTERESTS, AND ON CONNECTION WITH THIS MATERIAL, LICENSED BY HOLOPHANE

ORDER #: _____
 TYPE: _____
 DRAWN: KRW
 DATE: 3/5/18
 DWG #: POL_RHA

ANCHORAGE GUIDE



ROCKFORD HARBOR™
Aluminum Pole

Architectural
Outdoor

HOLOPHANE®
LEADER IN LIGHTING SOLUTIONS
An Acuity Brands Company
© 2010 Acuity Brands Lighting, Inc., All Rights Reserved

THIS DRAWING, WHEN APPROVED, SHALL BECOME THE COMPLETE SPECIFICATION FOR THE MATERIAL TO BE FURNISHED BY HOLOPHANE ON THE ORDER NOTED ABOVE. A UNIT OF SIMILAR DESIGN MAY BE SUBMITTED FOR CONSIDERATION. HOLOPHANE WILL NOT BE RESPONSIBLE FOR WRITING, ON POLE ORDERS AN ANCHOR BOLT TEMPLATE PRINT WILL BE SUPPLIED WITH EACH ANCHOR BOLT ORDER TO MATCH THE POLE ORDER. THE ANCHOR BOLT TEMPLATE PRINT IS NOT TO BE USED FOR ANY OTHER PURPOSE. HOLOPHANE SHALL NOT BE RESPONSIBLE FOR ANY CONDITION THAT IT WILL NOT BE USED DIRECTLY OR INDIRECTLY IN ANY WAY DETRIMENTAL TO OUR INTERESTS, AND ONLY IN CONNECTION WITH THE MATERIAL FURNISHED BY HOLOPHANE.

ORDER #: _____
TYPE: _____
DRAWN: KRW
DATE: 3/5/18
DWG #: POL_RHA